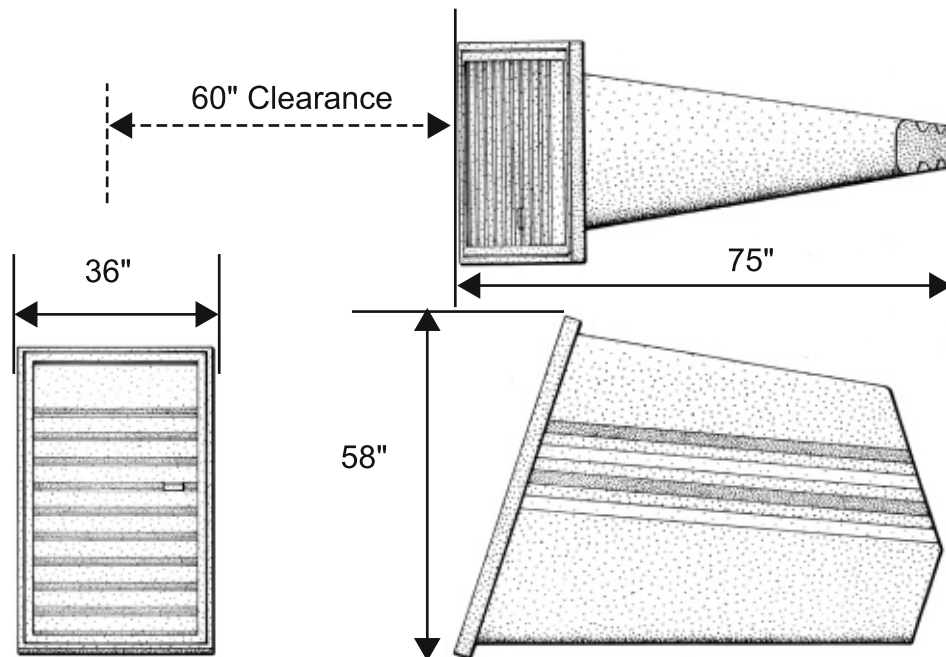


Function First Design

Bike Locker

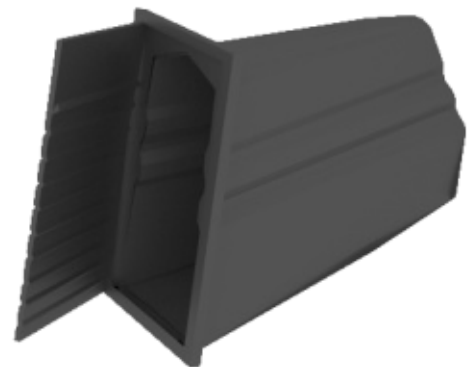
Class 1 Bike Security



Drill 3 3/8" holes evenly spaced inside the locker through floor. Mark ground and drill concrete per fastener requirements. Use 1/4" concrete anchors with washers

- Fully Assembled - no field assembly required*
- Simple Installation - 3 concrete anchors
- Graffiti Resistant - Polyethylene molded material resists paint, simply wash or spray out
- T-handle security locks
- 99.9% recyclable
- Standard Color - Sandstone, other colors available with minimum run

* door may be removed for better shipping



1 Bike

BL-PP-Sandstone

ex - Bike Locker, Capacity 1- Bike,
Polyethylene, Color Sandstone



Pie shape allows 2 units side by side

BikeRack.com
Function First Design, LLC
120 S. Houghton Rd, Ste. 138-153
Tucson, AZ 85747
520.322.9626 Sales@BikeRack.com

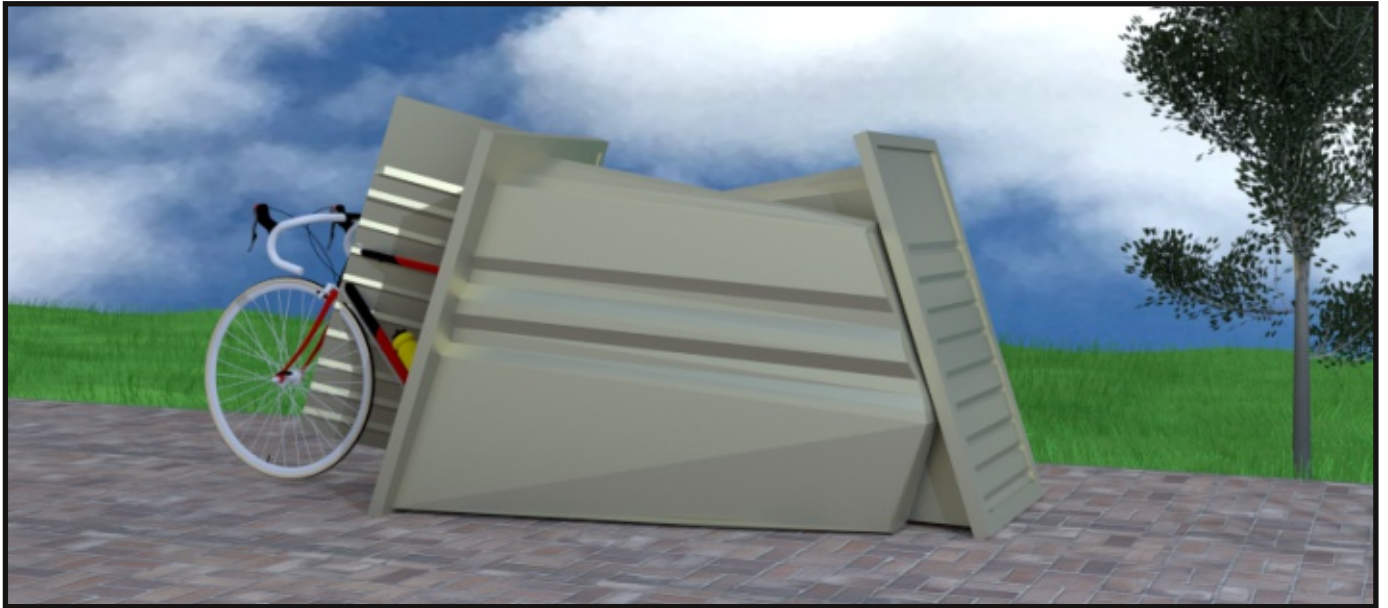
BikeRack.com

Sales@BikeRack.com 520-322-9626

Function First Design

Bike Locker

Class 1 Bike Security



Class 1 Bike Locker



The lockers hold 1 bike and can also accommodate helmets, rain gear, clothing, backpacks and other items. They meet class 1 bike security/parking requirements. The unique shaped lockers allow tight spacing of multiple lockers.

Individually molded polyethylene 'pods' are tough, vandal resistant and easy to keep clean inside and out. The standard finish is Sandstone, polyethylene, which never needs painting.



The full length door hinges are totally concealed. They come with keyed T-handle security locks.

Additional signage, sponsorship events or advertising can be placed on face of the sloped door. They are shipped completely pre-assembled. No field assembly is required. Note shipping method may remove door for better shipping. Some images show non standard clusters with endcaps and top cap. Not included unless stated in the quotation.



BikeRack.com
Function First Design, LLC
120 S. Houghton Rd, Ste. 138-153
Tucson, AZ 85747
520.322.9626 Sales@BikeRack.com