



STAND UP FLOOR MOUNT

CAPACITY



SINGLE

The Floor Mount Stand-Up is a vertical bike parking & security system designed by Function First Bike Security. It is an easy to use vertical bike rack, that can be configured to fit almost any space. This vertical bike rack does not require lifting of the bike. Simply stand the bike up on its back tire, put the back wheel against the wheel block, hook the front wheel at the top and the bike will fall securely in place.

This vertical bike rack is available in several variations, Wall Mount, Floor Mount, and Vertical Flow (5 Bikes) and is U-Lock compatible.



MOUNTING OPTIONS

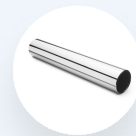


SURFACE



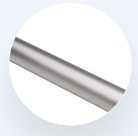
INGROUND

MATERIAL OPTIONS



STEEL TUBE

Powder Coat (Available In Many Colors) Or Galvanized



BRUSHED STAINLESS STEEL

StandUp-SM-BH 1 Bike, Stand Up, Surface Mount, Polyester Powder Coat Black Hammer

MATERIAL

- Steel Tube - 2" OD X 0.12" Wall Thickness
- Steel Tube (Standard)

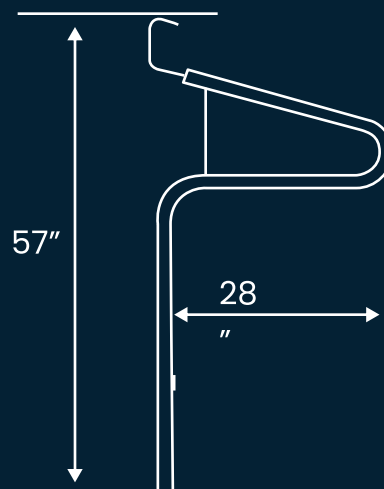
MOUNTING CONFIGURATION

- IG-Inground (approx 12" in concrete)
- SM-Surface Mount

FINISH OPTIONS

- BH-Powder Coat Black Hammer, TGIC Polyester, Sandblasted and primer
- GV-Hot Dipped Galvanized, post fabrication
- XX-Powder Coat other color

Side View



Front View

