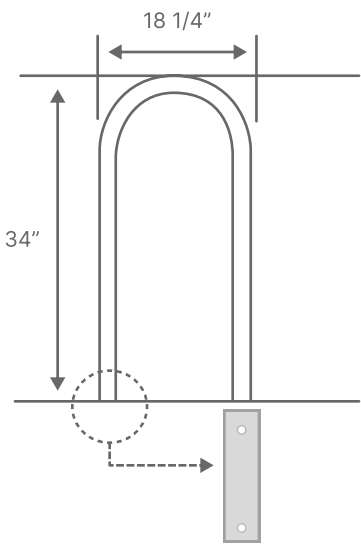
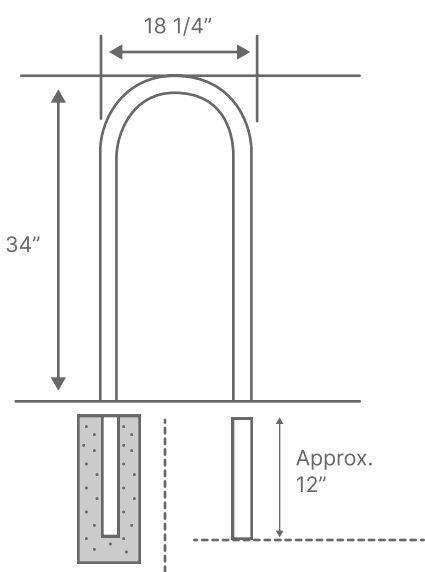



The Bike Rib 1.5 bike rack is designed for use in securing two bikes and is efficient, familiar and dependable. The Bike Rib offers a user-friendly design so as to allow the easy lock-up of the user's bike frame and wheels with a highly-secure U-Lock while facilitating organized bike parking. Provides optimum flexibility in site orientation. It can be placed side by side, end to end, at an angle or alone.

The Bike Rib is available with either surface mount or in-ground mounting options.

Dimensions

Dimensions are for reference only. Stainless steel version dimensions vary slightly.

Surface Mount	Inground	3D Model
 <p>Use 1/4" concrete anchors with washers</p>	 <p>Concrete footing</p> <p>Inground portion is smaller diameter</p> <p>Approx. 12"</p>	 <p>BikeRib-1.5-SM-BH 1 Bike, Surface Mount, Polyester Powder Coat Black Hammer</p>

Material

Steel Tube - 2" OD X 0.12" Wall Thickness

- Steel Tube (Standard)
- SS-Brushed Satin #4 finish (304 SS only) - This would also be the finish

Mounting Configuration

- IG-Inground (approx 12" in concrete)
- SM-Surface Mount

Finish Options

- BH-Powder Coat Black Hammer, TGIC Polyester, Sandblasted and primer
- GV-Hot Dipped Galvanized, post fabrication
- XX-Powder Coat other color

Warranty

Glow International Security guarantees its bike racks and bench racks to be free from defects in materials and workmanship for two years. Glow International, LLC. will replace or correct products that are found to be defective for a period of two years, provided we receive written notice from the owner in a timely fashion. This guarantee does not cover wear and tear to the finish, nor damage due to misuse or abuse.

Additional Comments