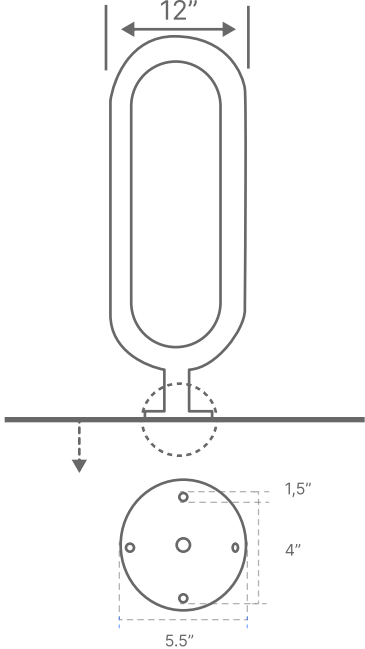
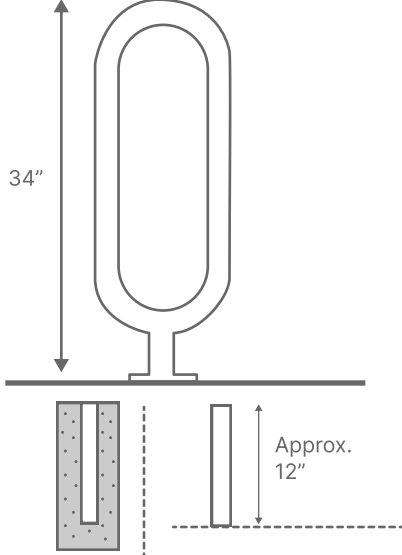
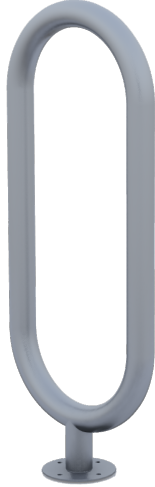


The Oval bike rack is designed to park and lock two bikes comfortably. The Oval bike rack can be used by leaning the bike against both sides of the rack (parallel) or by leaning the bike against one side of the rack (perpendicular), depending on how they are placed.

Available with either surface mount or in-ground mounting options.

Dimensions

Dimensions are for reference only. Stainless steel version dimensions vary slightly.

Surface Mount	Inground	3D Model
 <p>Use 1/4" concrete anchors with washers</p>	 <p>Concrete footing</p> <p>Inground portion is smaller diameter</p>	 <p>Oval-SM-BH, 1 Bike, Oval, Surface Mount, Powder Coat Black Hammer</p>

Material

Mounting Configuration

Finish Options

<p>Steel Tube - 2" OD X 0.12" Wall Thickness</p> <ul style="list-style-type: none"> <input type="radio"/> Steel Tube (Standard) <input type="radio"/> SS-Brushed Satin #4 finish (304 SS only) - This would also be the finish 	<ul style="list-style-type: none"> <input type="radio"/> IG-Inground (approx 12" in concrete) <input type="radio"/> SM-Surface Mount 	<ul style="list-style-type: none"> <input type="radio"/> BH-Powder Coat Black Hammer, TGIC Polyester, Sandblasted and primer <input type="radio"/> GV-Hot Dipped Galvanized, post fabrication <input type="radio"/> XX-Powder Coat other color
--	--	---

Warranty

Additional Comments

Glow International Security guarantees its bike racks and bench racks to be free from defects in materials and workmanship for two years. Glow International, LLC. will replace or correct products that are found to be defective for a period of two years, provided we receive written notice from the owner in a timely fashion. This guarantee does not cover wear and tear to the finish, nor damage due to misuse or abuse.