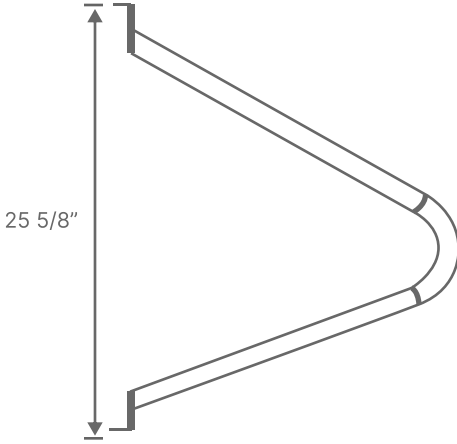
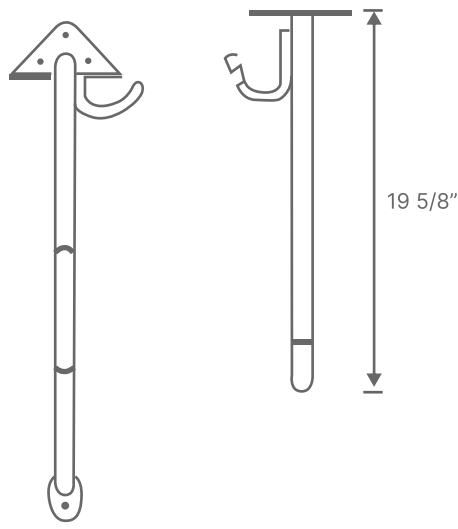



Simply stand the bike up, hook the front wheel, and let gravity take over – the bike rests into place. No lifting required and the bike is not suspended so there is minimal weight on the front wheel. This vertical bike rack allows the user to U-Lock for REAL bike security! Designed for indoor and outdoor bike rack parking This vertical bike rack is utilized in Bike Rooms, Commercial Parking Garage, Residential Garage or where organized bike rack parking and bike rack security is needed.

Dimensions

Dimensions are for reference only. Stainless steel version dimensions vary slightly.

<p>Wall Mount</p>  <p>25 5/8"</p>	<p>Front & Up</p>  <p>19 5/8"</p>	<p>3D Model</p>  <p>Vertical Bike Rack 1 Bike, Stand Up Rack, Wall Mount Version</p>
---	---	--

Material

Mounting Configuration

Finish Options

<p>Steel Tube - 2" OD X 0.12" Wall Thickness</p> <ul style="list-style-type: none"> <input type="radio"/> Steel Tube (Standard) <input type="radio"/> SS-Brushed Satin #4 finish (304 SS only) - This would also be the finish 	<ul style="list-style-type: none"> <input type="radio"/> Wall Mount 	<ul style="list-style-type: none"> <input type="radio"/> BH-Powder Coat Black Hammer, TGIC Polyester, Sandblasted and primer <input type="radio"/> GV-Hot Dipped Galvanized, post fabrication <input type="radio"/> XX-Powder Coat other color <input type="radio"/> Thermo-plastic coating
--	--	---

Warranty

Additional Comments

Glow International Security guarantees its bike racks and bench racks to be free from defects in materials and workmanship for two years. Glow International, LLC. will replace or correct products that are found to be defective for a period of two years, provided we receive written notice from the owner in a timely fashion. This guarantee does not cover wear and tear to the finish, nor damage due to misuse or abuse.